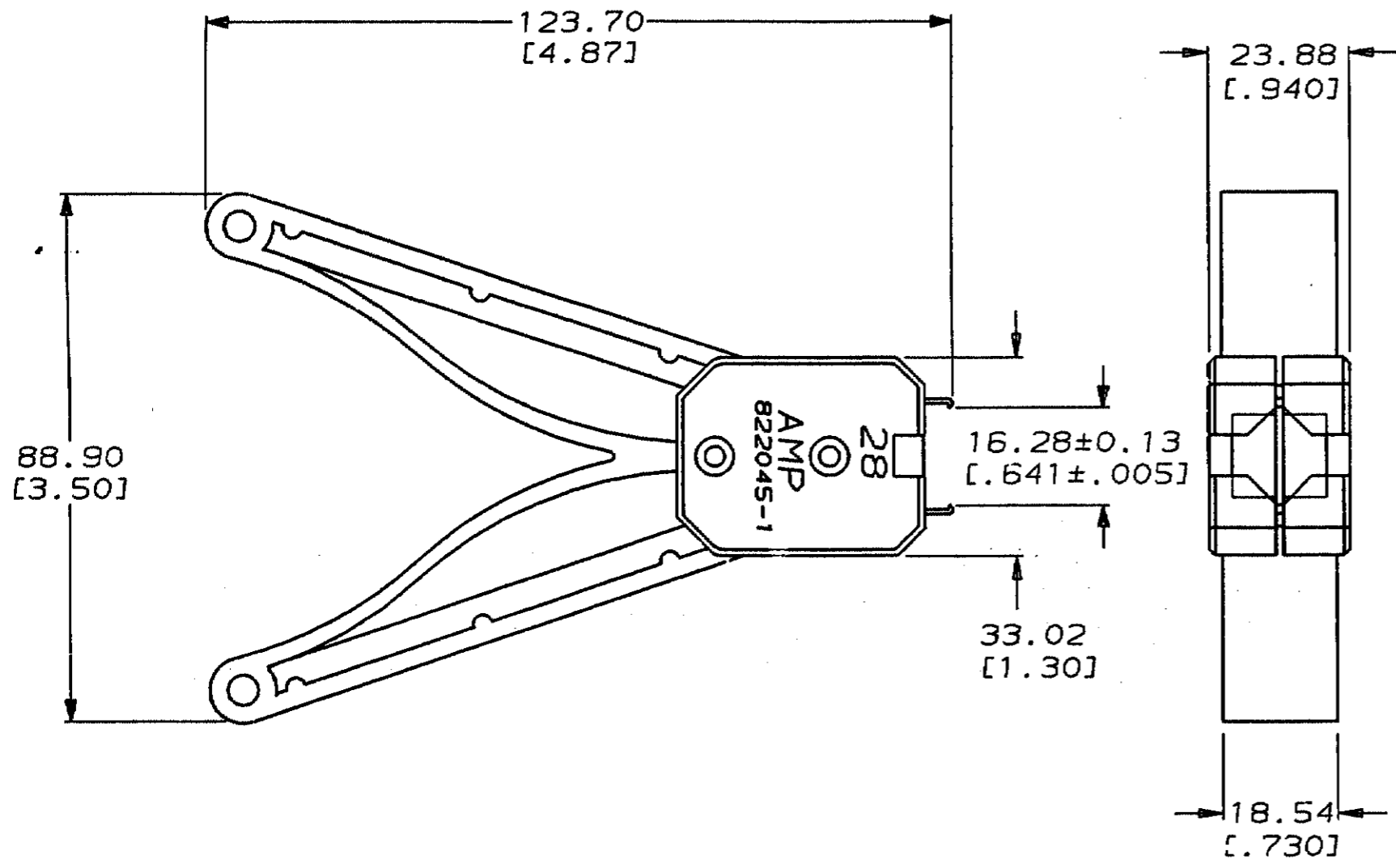


LOC	DIST	P	F	ZONE	LTR	REVISIONS	
AG	53				B	DESCRIPTION	DATE
		V				REVISED PER AG-3047	10-27-92
							APPD
							PC
							CW



822045-1 SHOWN

DO NOT SCALE PRINT. UNLESS SPECIFIED DIMENSIONS IN mm (INCHES) TOLERANCES ON: 2 PLC DEC ± 0.2 (.01) 3 PLC DEC ± 0.25 (.010) ANGLES ± -		DR 8-1-91 C. WHITT	AMP AMP Incorporated Harrisburg, PA 17105-3608
MATERIAL HANDLE- POLYACETAL END CAPS- POLYACETAL HOOK- STAINLESS STEEL 1.07±0.08 (.042±.003) THK	CHK 8-1-91 R. MILLER	APPD 8-7-91 K. KREIDLER	
FINISH HANDLE- COLOR, BLUE END CAPS- COLOR, BLUE	APPD - PRODUCT SPEC - APPLICATION SPEC - WEIGHT -	NAME TOOL, EXTRACTION, PLCC, 28 POSN.	DRAWING NO 822045
	SIZE B	CAGE CODE 00779	SCALE 1:1
			SHEET - OF -